

Sample Handling - Vials, Caps, Inserts, 96 Well Plates, Sealing Mats

LC Certified Combi-Kits

Due to customer requests, Chrom4 is now providing QC Certified vial and cap Combi-Kits.

These certified Combi-Kits are identical to the Combi-Kits found on page 23 of the Sample Handling section of this catalogue, but will include certification documentation.

Every batch of LC certified Combi-Kits is tested on 16 critical parameters. The vial and cap combinations are checked for blanks and contamination by HPLC/UV and LC-MS testing.

Certified Combi-Kits include the batch-specific test results and the HPLC/LC-MS chromatograms.

The LC certified Combi-Kit components are shipped shrinkwrapped to ensure purity, transport and end user safety.

Certified Combi-Kits are available in a 2mL Short Thread clear and amber vial with appropriate cap.

Other Chrom4 certified Combi-Kits are available on request.



LC Certified Combi-Kits - Test parameters

CleanVial

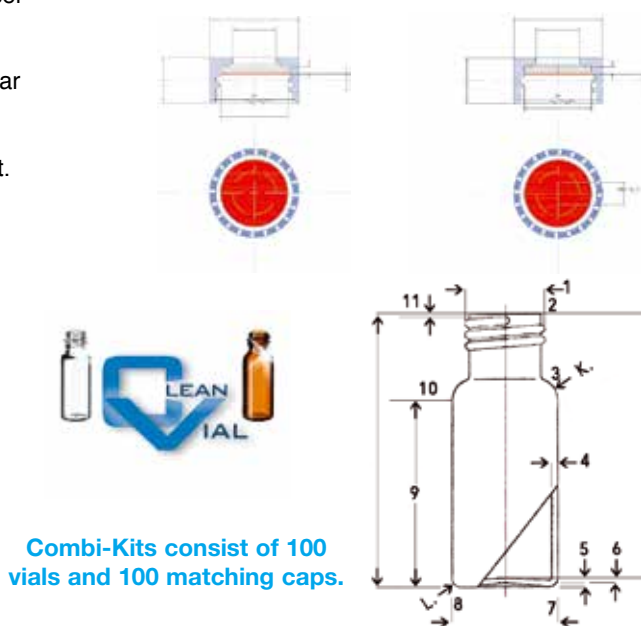
- Glass
 - Hydrolytic Class 1;51 expansion Borosilicate; meets all requirements of Phm. US, EU, JPN; class 10.000 clean room standard
- Height
- Diameter
- Bottom Thickness
- Neck Length
- Thread Profile
- Annealing

CleanCap

- Diameter
- Height
- Thread Integrity
- Septa Bonding
- Sealing/Resealing Test
- Extractables

Chemical TestNon-volatile Residue

- HPLC UV Test
- LC-MS Test



Combi-Kits consist of 100 vials and 100 matching caps.

Ordering Information - Combi-Kit - Not assembled (Cap in separate compartment)

PART NO. (100pk)	DESCRIPTION
9mm 9-425 Thread	
For Agilent Auto Samplers	
VT009M/C395ESBCERT	HPLC/LC-MS Certified 2mL Clear Screw Vial, Marking Spot, Blue Cap, Red PTFE/White Silicone
VT009MA/C395ESBCERT	HPLC/LC-MS Certified 2mL Amber Screw Vial, Marking Spot, Blue Cap, Red PTFE/White Silicone
For Agilent Auto Samplers	
VT009M/C397ESBCERT	HPLC/LC-MS Certified 2mL Clear Screw Vial, Marking Spot, Blue Cap, Red PTFE/White Silicone w/ Slit*
VT009MA/C397ESBCERT	HPLC/LC-MS Certified 2mL Amber Screw Vial, Marking Spot, Blue Cap, Red PTFE/White Silicone with Slit*
For Waters Auto Samplers	
VT009M/C395BCERT	HPLC/LC-MS Certified 2mL Clear Screw Vial, Marking Spot, Blue Cap, Red PTFE/White Silicone, Bonded
VT009MA/C395BCERT	HPLC/LC-MS Certified 2mL Amber Screw Vial, Marking Spot, Blue Cap, Red PTFE/White Silicone, Bonded
For Waters Auto Samplers	
VT009M/C397BCERT	HPLC/LC-MS Certified 2mL Clear Screw Vial, Marking Spot, Blue Cap, Red PTFE/White Sil, Bonded w/Slit*
VT009MA/C397BCERT	HPLC/LC-MS Certified 2mL Amber Screw Vial, Marking Spot, Blue Cap, Red PTFE/White Sil, Bonded w/Slit*

*Slitted cap recommended for Waters UPLC™ and UHPLC

Combi-Kits - Vial and Cap

Ordering Information - Vials and Caps - Not assembled (Cap in separate compartment)

PART NO. (100pk)	DESCRIPTION
9mm 9-425 Thread	
For Agilent Auto Samplers	
VT009/C395ESB	2mL Clear Screw Vial, Blue Cap, Red PTFE/White Silicone, Combi-Kit
VT009M/C395ESB	2mL Clear Screw Vial, Marking Spot, Blue Cap, Red PTFE/White Silicone, Combi-Kit
VT009MA/C395ESB	2mL Amber Screw Vial, Marking Spot, Blue Cap, Red PTFE/White Silicone, Combi-Kit
For Agilent Auto Samplers	
VT009/C397ESB	2mL Clear Screw Vial, Blue Cap, Red PTFE/White Silicone with Slit, Combi-Kit
VT009M/C397ESB	2mL Clear Screw Vial, Marking Spot, Blue Cap, Red PTFE/White Silicone with Slit*, Combi-Kit
VT009MA/C397ESB	2mL Amber Screw Vial, Marking Spot, Blue Cap, Red PTFE/White Silicone with Slit*, Combi-Kit
For Waters Auto Samplers	
VT009/C395B	2mL Clear Screw Vial, Blue Cap, Red PTFE/White Silicone, Bonded, Combi-Kit
VT009M/C395B	2mL Clear Screw Vial, Marking Spot, Blue Cap, Red PTFE/White Silicone, Bonded, Combi-Kit
VT009MA/C395B	2mL Amber Screw Vial, Marking Spot, Blue Cap, Red PTFE/White Silicone, Bonded, Combi-Kit
For Waters Auto Samplers	
VT009/C397B	2mL Clear Screw Vial, Blue Cap, Red PTFE/White Silicone, Bonded with Slit, Combi-Kit
VT009M/C397B	2mL Clear Screw Vial, Marking Spot, Blue Cap, Red PTFE/White Sil, Bonded with Slit*, Combi-Kit
VT009MA/C397B	2mL Amber Screw Vial, Marking Spot, Blue Cap, Red PTFE/White Sil, Bonded with Slit*, Combi-Kit

*Slitted cap recommended for Waters UPLC™ and UHPLC

Combi-Kits consist of 100 vials and 100 matching caps.



Ordering Information - Caps Pre-assembled on Vials

PART NO. (100pk)	DESCRIPTION
853959B-1232	2mL Clear Vial with Marking Spot Assembled with 9mm Blue Cap Red PTFE/White Silicone
853959BA-1232	2mL Amber Vial with Marking Spot Assembled with 9mm Blue Cap Red PTFE/White Silicone
853979B-1232	2mL Clear Vial with Marking Spot Assembled with 9mm Blue Cap Red PTFE/White Silicone Slitted
853979B-1232A	2mL Amber Vial with Marking Spot Assembled with 9mm Blue Cap Red PTFE/White Silicone Slitted

