

Brownlee™ Columns








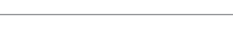
Economical MPLC™ Cartridge System with Reusable Hardware

- Finger-tight modular design
- Reusable end assemblies with interchangeable holders
- Guards fit conventional columns or MPLC™ hardware

The Brownlee™ MPLC™ Cartridge system is convenient and easy to use. Decide which column length you prefer, and purchase the hardware and the disposable packed cartridges separately.

Cartridge Hardware

Brownlee™ MPLC™ Cartridge Hardware




Photo	Description	Part No.
<i>MPLC™ Cartridge Holders</i>		
	30mm	140200
	100mm	140230
	220mm	140400
<i>MPLC™ Cartridge Accessories</i>		
	MPLC™ Cartridge Union	140300
	MPLC™ Cartridge End Assembly	1402501
<i>MPLC™ Cartridge Holder Bodies</i>		
	30mm	140203
	100mm	140003
	220mm	140403

Brownlee™ MPLC™ Cartridge Hardware Seals

Description	Part No.
Analytical Holder Seal Replacement Kit Includes Tool and 2 Seals	140260
Analytical Seals, 2/pk Seal Replacement Tool Required	140216

NewGuard™ System

Brownlee™ MPLC™ NewGuard™ Hardware

Photo	Description	Part No.
	NewGuard™ Cartridge Holders NewGuard™ Holder for use with Conventional Columns	140601
	220mm NewGuard™ System Holder for Direct Coupling of 220mm Analytical Cartridge with a NewGuard™ Cartridge	140410
	NewGuard™ End Assembly	140600

Brownlee™ NewGuard™ Cartridges*

Description	Qty.	Part No.
RP-18	3	141004
RP-8	3	141003
Cyano	3	141008
Amino	3	141007
Anion (AX-300)	3	141009

*NewGuard™ cartridge holder required (Part No. **140601**).

Spheri-5™ and Spheri-10™ Cartridges

- Rugged and reproducible
- Use with MPLC™ cartridge hardware
- 80Å, spherical silica

RP-18 and RP-8 phases are monomeric for optimum mass transfer kinetics and high efficiency. The ODS phase is polymeric and more suitable for acidic mobile phases.

Brownlee™ Spheri-5™ Cartridges*

Packing	i.d. x Length	Qty.	Part No.
<i>ODS (C18), 5µm</i>	4.6 x 30mm	2	141060
	4.6 x 100mm	ea	141062
	4.6 x 220mm	ea	141064
<i>RP-18, 5µm</i>	2.1 x 30mm	2	141052
	2.1 x 100mm	ea	141054
	4.6 x 100mm	ea	141053
<i>RP-8, 5µm</i>	4.6 x 30mm	2	141027
	4.6 x 100mm	ea	141029
	4.6 x 220mm	ea	141031
<i>Amino, 5µm</i>	4.6 x 30mm	2	141177
	4.6 x 100mm	ea	141179
<i>Silica, 5µm</i>	4.6 x 30mm	2	141193

*Brownlee™ MPLC™ cartridge holder required.

Brownlee™ Spheri-10™ Cartridges*

Packing	i.d. x Length	Qty.	Part No.
<i>RP-18, 10µm</i>	4.6 x 30mm	2	141043
<i>RP-8, 10µm</i>	4.6 x 30mm	2	141020
	4.6 x 100mm	ea	141022

*Brownlee™ MPLC™ cartridge holder required.